



Ancillary Components	
2	Brackets (a)
4	Coach Screw (b)
4	Washers (c)
4	Wall Plug (d)
4	Bracket Buffer (e)

PLEASE READ THESE INSTRUCTIONS THOROUGHLY BEFORE COMMENCING INSTALLATION.

PLEASE CHECK THAT ALL ANCILLARY COMPONENTS ARE PRESENT AND THAT THE PRODUCT HAS NOT SUFFERED ANY DAMAGE DURING TRANSIT.

THIS PRODUCT IS MANUFACTURED FROM MILD STEEL & IS ONLY SUITABLE FOR INSTALLATION WITHIN A CENTRAL HEATING SYSTEM WITH A CORROSION INHIBITOR ADDED TO THE WATER.

Installation should be carried out by a suitably qualified professional or other fully competent person & in accordance with the relevant British and European standards (BS7593:1992, EN12828:2003, EN12831:2003 & EN14336:2004) & all applicable Building Regulations.

When drilling or fixing into walls, floors or ceilings it is essential that you check for pipes & wires before commencing. Please ensure that you wear all necessary personal protective equipment.

Due to our commitment to continuous product development we reserve the right to alter specifications without prior notice.

This product carries a 5 year warranty against faulty materials & manufacturing defects. The warranty does not cover any defect arising from damage, negligence, usage outside the products intended purpose or fair wear & tear. The warranty does not cover pinholes or other issues caused by insufficient cleansing or protection of the central heating system. Kudox reserves the right to investigate all claims & conduct appropriate testing if deemed necessary. In the event of a leaking product, Kudox must be contacted before the central heating system is drained so that water analysis can be carried out to establish the cause of the leak. Kudox Limited's liability under any warranty expressed or implied is strictly limited to replacement of the defective product and no consequential losses of any kind will be entertained. The warranty applies to the first purchaser only, is nontransferable & proof of purchase will be required for all warranty claims. This warranty applies to the United Kingdom only and does not affect your statutory rights. Full warranty terms and conditions can be found on our website at www.kudox.com.

Regular cleaning with a soft cloth will keep the surface of your product looking new. Soapy water can be used to remove stubborn marks. Do not use abrasive or chemical cleaners as these will damage the surface finish over time.

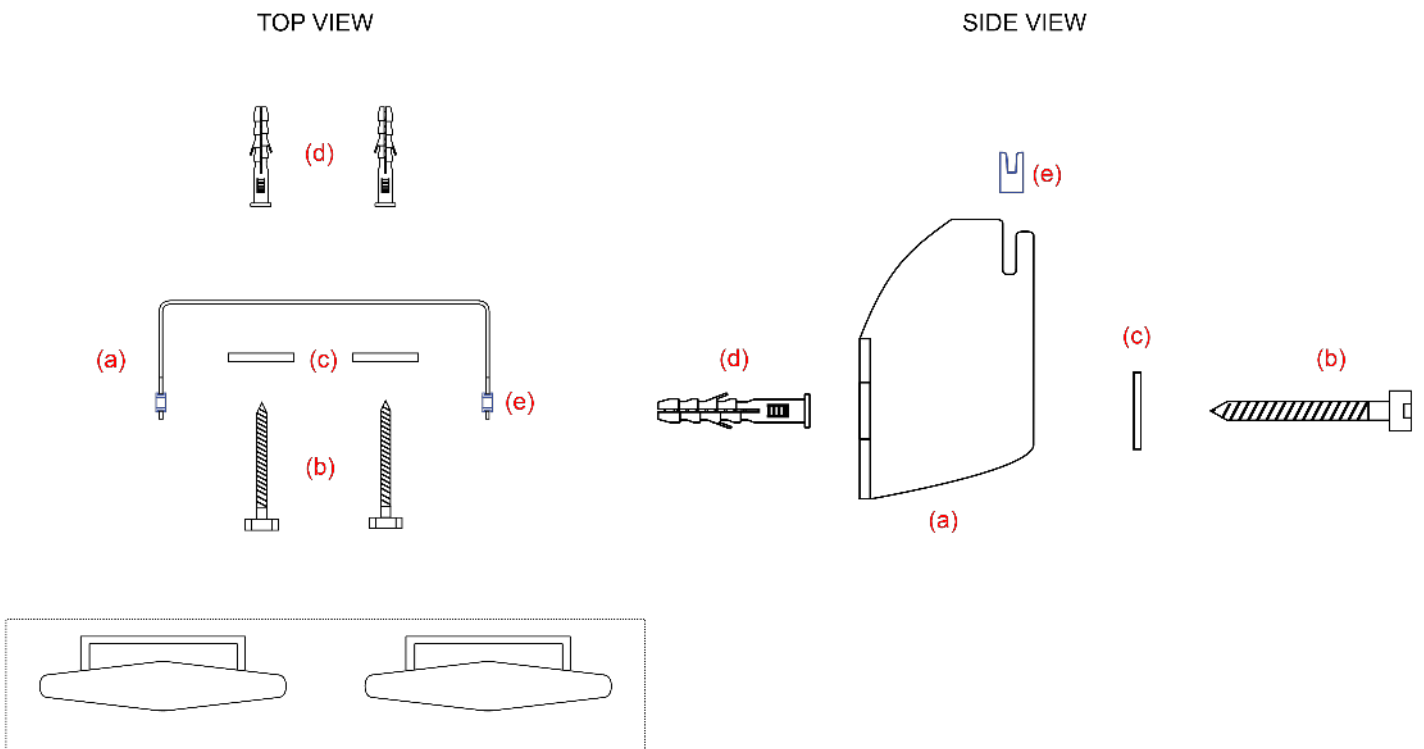


AFTER INSTALLATION THE ENTIRE CENTRAL HEATING SYSTEM MUST BE THOROUGHLY FLUSHED WITH A 'DOMESTIC WATER TREATMENT ASSOCIATION' (DWTA) APPROVED CENTRAL HEATING CLEANSER.

FOLLOWING CLEANSING A DWTA APPROVED CENTRAL HEATING PROTECTOR MUST BE ADDED TO THE CENTRAL HEATING SYSTEM.

FAILURE TO CLEANSE AND PROTECT THE SYSTEM PROPERLY WILL REDUCE THE LIFE CYCLE AND INVALIDATE THE WARRANTY.

1. Wind a thick layer (at least 6 turns) of PTFE tape, clockwise around the radiator valve tails (not supplied) and screw the radiator valve tails into the bottom two threads and tighten firmly.
2. Check that the wall is strong enough to hold the weight of the radiator filled with water. On plasterboard walls we strongly recommend fixing to the timbers.
3. The bottom of the Brackets should be be at least 210mm above the finished floor level so that the bottom of the radiator is at least 150mm above the finished floor level. Mark the Bracket positions on the wall and then use one of the Brackets to mark the fixing positions.
4. Drill the holes for the fixings you intend to use. The Wall Plugs supplied are only suitable for solid walls and you will need alternative fixings for other wall types. Screw the Brackets to the wall and level the Brackets horizontally and vertically.
5. Lift the radiator into position on the Brackets.
6. Connect the radiator valves (not supplied) and fill the system to check for leaks. Repair any leaks as necessary.
7. Flush the entire central heating system with a DWTA approved central heating cleanser, carefully following the manufacturer's instructions.
8. After thoroughly flushing the entire central heating system, refill adding a DWTA approved central heating protector, carefully following the manufacturer's instructions.
9. Run the central heating system up to full temperature and release any trapped air using the Air Vent Plug.



Reaction to fire: **A1**
 Release of dangerous substances: **None**
 Maximum operating pressure: **500 kPa**
 Surface temperature: Maximum **110°C**
 Resistance against corrosion: **No corrosion after 100 h humidity**
 Resistance against minor impact: **Class 0**



Kudox Limited 1 Bray Place London SW3 3LL
 Technical support email: support@kudox.com
 Technical support phone: **020 72255020**
 FAQ and advice: www.kudox.com
 Made in Turkey