



PLEASE READ THESE INSTRUCTIONS THOROUGHLY BEFORE STARTING INSTALLATION



Ancillary Components	
4	Wall Plug (a)
4	Bracket Base (b)
4	Washer (c)
4	Wall Screw (d)
4	Bracket Stem (e)
4	Bracket Front (f)
4	Bracket Screw (g)
4	Mini Screw (h)
4	Bracket Cover (i)



IMPORTANT WARNINGS & SAFETY INFORMATION



This appliance must be installed by a fully competent person and in accordance with current IEE Wiring Regulations. It may be necessary to notify your local authority building control department or to have the work carried out by a suitably qualified electrician. This appliance must be earthed.

The appliance must be connected to a fused connection unit incorporating contact separation in all poles. The power supply to the appliance must be protected by a 30mA differential circuit breaker. In case of damage to the supply cord, switch off the electrical supply at the mains immediately. If the supply cord is damaged it must be replaced by the manufacturer, its service agent or similarly qualified person in order to avoid a hazard.

Switch off the electrical supply at the mains during installation. When drilling or fixing into walls, floors or ceilings it is essential that you check for pipes & wires before commencing. Please ensure that you wear all necessary personal protective equipment.

This product complies with NHS Estates Health Guidance Notes on Safe Hot Water & Surface Temperature, therefore the maximum surface temperature of the product is 43°C.

This appliance can be used by children aged 8 years and above and persons with reduced physical, sensory or mental capabilities or lack of experience and knowledge if they have been given supervision or instruction concerning use of the appliance in a safe way and understand the hazards involved. Children shall not play with this appliance. Cleaning and user maintenance shall not be made by children without supervision.

Children aged less than 3 years should be kept away unless continuously supervised.

Children aged from 3 years and less than 8 years shall only operate the appliance provided that they have been given supervision or instruction concerning use of the appliance in a safe way and understand the hazards involved. Children aged from 3 years and less than 8 years shall not regulate, clean the appliance or perform user maintenance.



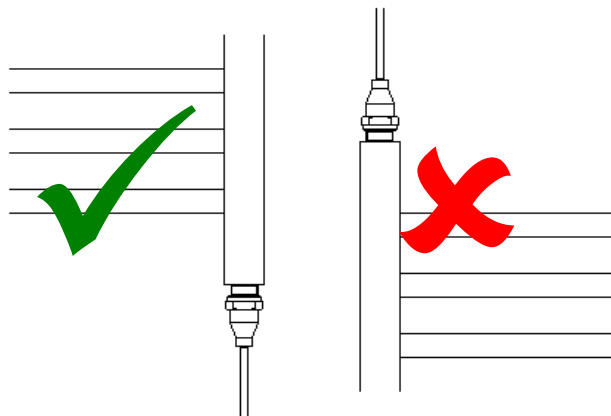
EN 60335-1 & EN60335-2-43
 Low Voltage Directive 2006/95/EC
 EMC Directive 2004/108/EC
 RoHS Directive 2011/65/EU

Electrical Connection Type - Hard Wired
 Voltage – AC 240V (216V-253V) - 50Hz
 Electrical Insulation - Class 1
 Ingress Protection Rating – IP55

IMPORTANT INFORMATION

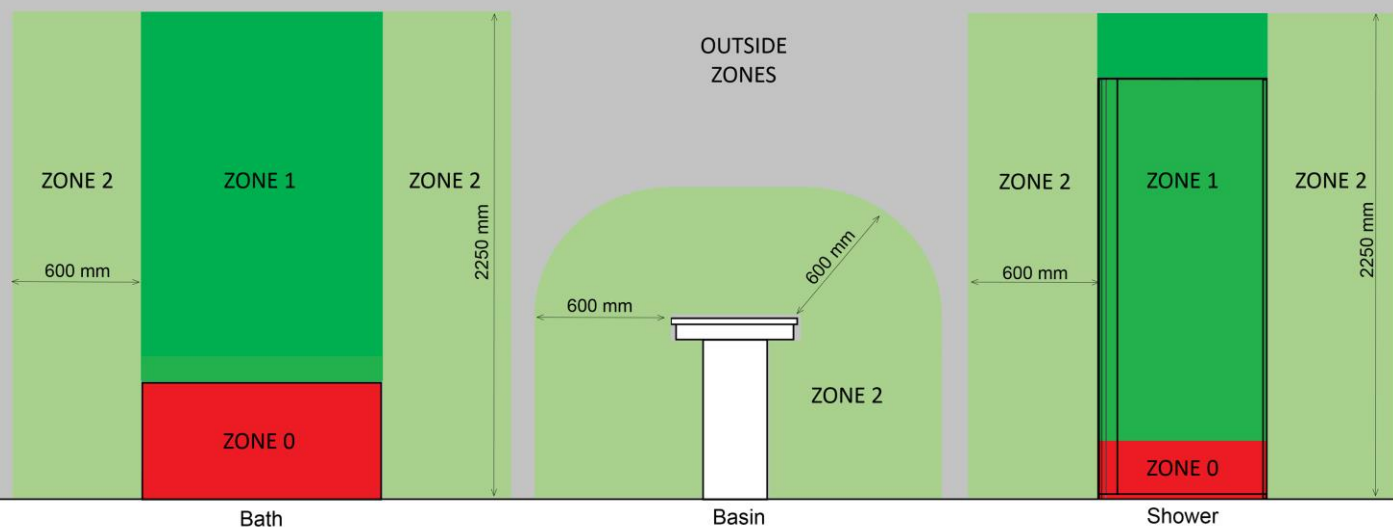
INSTALLATION ORIENTATION

The towel rail must be installed in the correct orientation with the electrical element and cable at the bottom.



BATHROOM ZONES

This appliance is IP55 rated for installation in IEE Bathroom Zones 1 & 2 along with the all areas outside the zones. This appliance is not suitable for installation in Zone 0. It is the responsibility of the installer to assess the actual installation environment to establish suitability in the specific location. Despite an IP rating that allows installation in Zone 1, we recommend careful consideration of suitability of the installation environment before installing in Zone 1. We do not recommend installation inside a shower enclosure but over-bath installation may be suitable in certain situations.



ELECTRICAL WIRING

WARNING: This appliance must be earthed.

The wires in the mains cable are coloured in accordance with the following code:

Blue – Neutral

Brown – Live

Green/Yellow – Earth

The blue wire must be connected to the terminal marked with an N or coloured black.

The brown wire must be connected to the terminal marked with an L or coloured red.

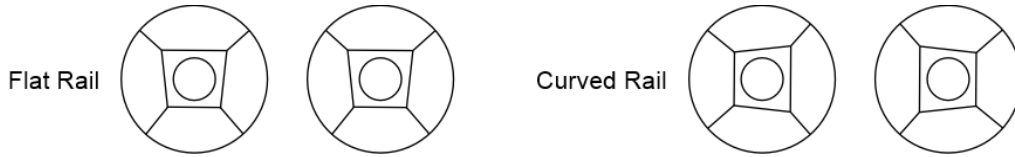
The green/yellow wire must be connected to the earth terminal which is marked with an E or with the earth symbol.

WARNING: Never connect live or neutral wires to the earth terminal.

This appliance must be installed by a fully competent person and in accordance with current IEE Wiring Regulations. It may be necessary to notify your local authority building control department or to have the work carried out by a suitably qualified electrician.

Fixing The Towel Rail

1. Check that the wall is strong enough to hold the weight of the towel rail. Mark your preferred bracket positions on the wall and drill holes for the fixings you intend to use. The Wall Plugs supplied are only suitable for solid walls and you will need alternative fixings for other wall types.
2. Screw the Bracket Bases to the wall using the Washers & Wall Screws provided or alternative fixings.
3. Loosely fit the Bracket Stems to the towel rail with the Bracket Fronts & Bracket Screws. Rotate the Bracket Stems as shown in the diagram below.



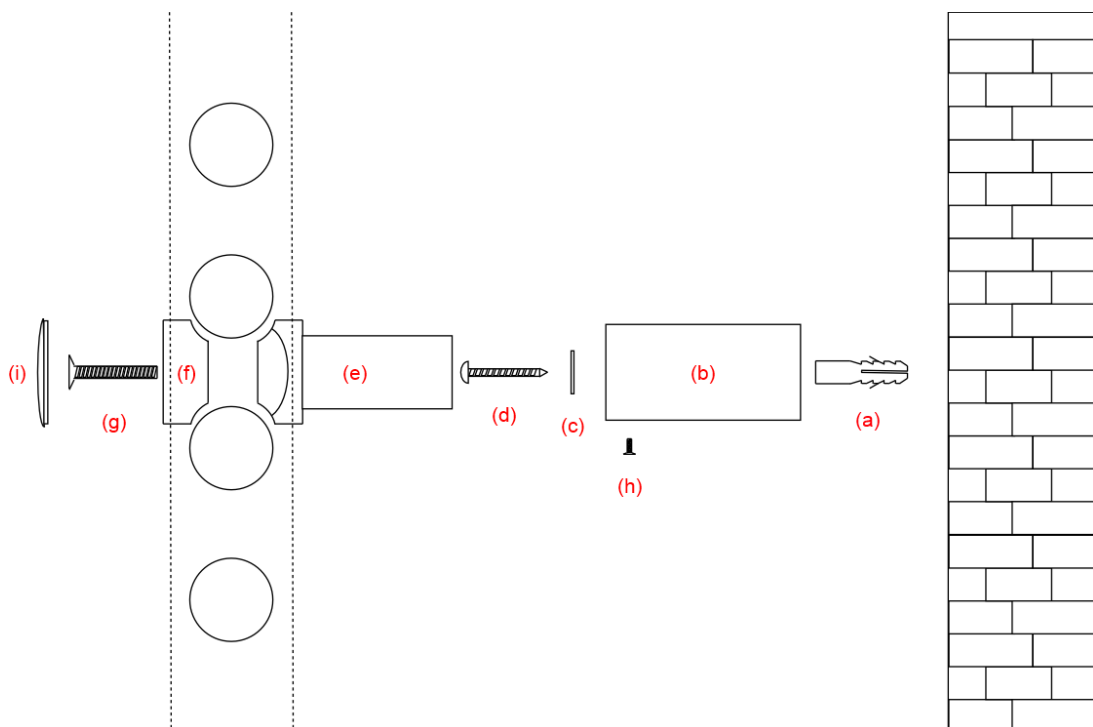
4. Align the Bracket Stems with the Bracket Bases and push the towel rail back into position.
5. Tighten the central Bracket Screws with a screwdriver.
6. Insert the Mini Screws into the holes in the underside of Bracket Bases and tighten with a screwdriver to fix the Bracket Stem into the Bracket Base.
7. Push the Cover Caps into position on the Bracket Fronts.

Electrical Connection

8. Cut the cable to the desired length and strip the outer sleeve for approximately 40mm. Cut the coloured wires to the correct lengths and strip off approximately 5mm of the insulation on each one.
9. Connect the wires to a fused connection unit fitted with a 3A fuse and tighten the cord clamp.



10. Place the fused connection unit onto the back box and tighten the two holding screws.



FURTHER INFORMATION

Due to our commitment to continuous product development we reserve the right to alter specifications without notice.

Cleaning

Regular cleaning with a soft cloth will keep the surface of your product looking new. Soapy water can be used to remove stubborn marks. Do not use abrasive or chemical cleaners as these will damage the surface finish over time.

Warranty

This product carries a 1 year warranty against manufacturing defects. Our liability under any warranty expressed or implied is strictly limited to replacement of defective goods and no consequential losses of any kind will be entertained. Proof of purchase will be required for all warranty claims. If this product develops a fault within the warranty period, please contact your place of purchase.

Disposal



This appliance is NOT ordinary domestic refuse. At the end of the product's life, this symbol applied to the product, indicates the obligation to consign it to an appropriate recycling centre to be disposed of in accordance with the European Directive WEEE guideline.

Kudox Limited - 1 Bray Place - London - SW3 3LL
Technical Support e-mail - support@kudox.com
FAQ & Advice - www.kudox.com